

Nullifire B150 – Pipe Collars

May 2007 – UK-B150-APP
Revision 1

Page 1 of 3

1. PRODUCT DESCRIPTION

Nullifire System B150 Pipe Collars consist of two half shells of powder coated steel lined with intumescent material.

They are used to stop the spread of fire along PVCu pipework where they pass through compartment walls and floors. During a fire the intumescent expands within the steel casing and seals the pipe crushing.

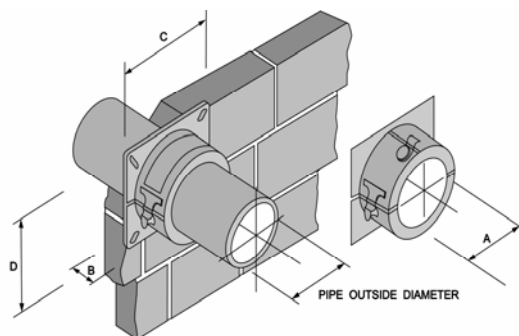
2. APPLICATION CHECK LIST

- Ensure the collar is the correct size for the pipe.
- Ensure correct fixings available.
- Ascertain expected direction of fire. Two collars may be required if fire is from both sides.
- Ensure access is available for fixing.
- Ensure suitable fixing tools are available.
- Read all installation instructions.

3. PRODUCT DETAILS

B150 Pipe Collars are available in four sizes to fit standard PVCu pipes. (For non-standard sizes, please contact Nullifire on +44 (0) 24 7685 5000).

B150 Pipe Collars have been independently tested and assessed for both integrity and insulation, as specified by BS476: Part 20: 1987.



Product Code	PVC-u Pipe Size (mm)		PipeCollar Dimensions in (mm)			
	Nominal	Outside diameter	A	B	C	D
B150-55	50	55	56	43	120	94
B150-82	75	82	83	43	140	120
B150-110	100	110	111	43	165	155
B150-160	150	160	161	74	215	210

Nullifire B150 – Pipe Collars

May 2007 – UK-B150-APP
Revision 1

Page 2 of 3

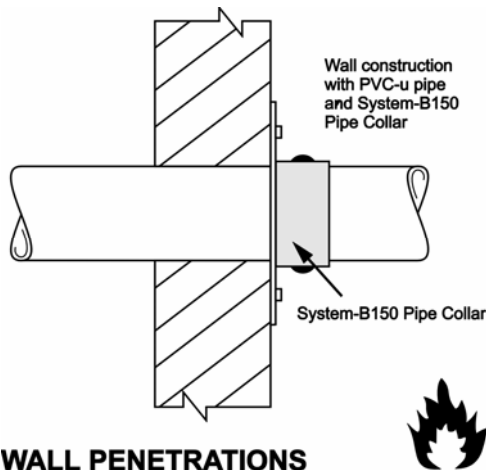
FIRE RESISTANCE – 2 HOURS

Product Code	B150-55/2	B150-82/2	B150-110/2	B150-160/2
Outside diameter of pipe (m)	55	82	110	160
Wall Installation	Integrity	2 hours	2 hours	2 hours
	Insulation	2 hours	2 hours	2 hours
Floor Installation	Integrity	2 hours	2 hours	2 hours
	Insulation	2 hours	2 hours	2 hours

FIRE RESISTANCE – 4 HOURS

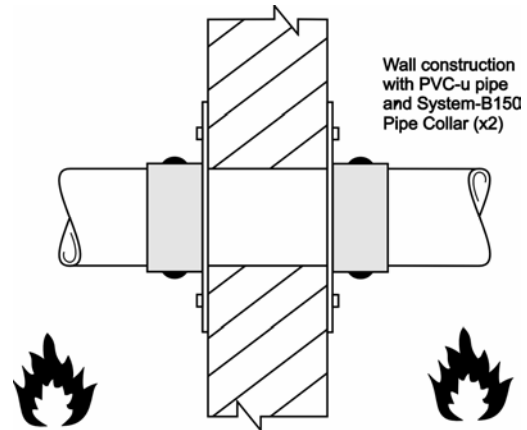
Product Code	B150-55/4	B150-82/4	B150-110/4	B150-160/4
Outside diameter of pipe (m)	55	82	110	160
Wall Installation	Integrity	4 hours	4 hours	4 hours
	Insulation	4 hours	4 hours	4 hours
Floor Installation	Integrity	4 hours	3 hours	2 hours
	Insulation	4 hours	3 hours	2 hours

4. INSTALLATION DETAILS

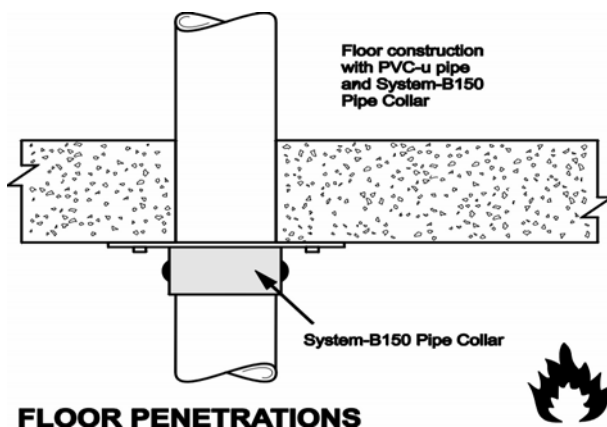


WALL PENETRATIONS

Where the pipe penetrates through a wall construction the Pipe Collar should be fixed to the wall on the side at risk from fire attack.



Where the direction of the fire risk is from both sides or is not known, a Pipe Collar should be fixed at both sides of the wall construction.



FLOOR PENETRATIONS

Where the pipe penetrates through a floor construction the Pipe Collar should be fixed to the underside only.

Nullifire Limited

Tomington Avenue, Coventry CV4 9TJ, United Kingdom
Telephone + 44 (0)24 7685 5000 **Facsimile** + 44 (0)24 7646 9547
e-mail protect@nullifire.com **website** www.nullifire.com



This information is offered in good faith but without guarantee or liability. In cases of doubt, users should consult with relevant authority. Information given herein is supplied for your guidance only and is based upon the results of controlled tests and experience obtained in the application of the product referred to by Nullifire Ltd. As the supplier only, Nullifire Ltd has no control over the method or conditions of application of the product and consequently no warranties expressed or implied are intended to be given as to the coverage or performance of the products mentioned or referred to herein and no liability will be excepted for any loss, damage or physical injury resulting from the use or application of the information, data or products mentioned or referred to herein.

Nullifire B150 – Pipe Collars

May 2007 – UK-B150-APP
Revision 1

Page 3 of 3

5. INSTALLATION INSTRUCTIONS

To install the B150 Pipe Collar the following items are required:

- Masonry drill
- 6.5mm masonry bit
- Marker pen
- Spanner
- Masonry anchor bolts

Procedure

1. Clip the Pipe Collar around the pipe using the two sided clasps/toggle clips, with the flange tight up to the surface of the wall or the soffit of the floor.
2. Using the marker pen, mark the position of the four bolt fixings through the slotted holes in the flange of the Pipe Collar.
3. Unclip the Pipe Collar and drill holes at the four marked positions to a minimum depth of 60mm.
4. Insert masonry anchor bolts and relocate the Pipe Collar using the toggle clips as before.
5. Tighten the nuts of the bolt fixings to complete the installation.

N.B.

1. Where a pipe seal is to be located within the depth of the fire compartment wall or floor it is normal to use Nullifire System B300 Pipe Wrap.
2. Where access is restricted it is acceptable to use only 3 masonry anchor bolt fixings.
3. Pipe Collars are normally fixed to relatively smooth surfaces. However, where the surface is very rough, it is possible to improve the smoke tightness of the seal by bedding it onto a bead of Nullifire M701 or M703 Fire Resistant Sealant.
4. For dry lining constructions please refer to B600 Pipe Sleeves. To avoid damage, store under cover in a dry environment between 0°C and 40°C. Keep away from sources of ignition.

6. STORAGE

To avoid damage, store under cover in a dry environment between 0°C and 40°C. Keep away from sources of ignition.

7. TO ORDER

In the U.K., the B150 Pipe Collars are sold individually in a range of sizes. When ordering state outside pipe diameter and fire rating required. Can be ordered directly from Nullifire, Coventry on +44 (0) 24 7685 5000.

8. TECHNICAL ASSISTANCE

Further assistance can be obtained by calling the Nullifire Technical Hotline or by e-mail – protect@nullifire.com.

Contract Support is available on request.

Nullifire run a training school in the U.K. for applicators. Full information can be obtained from Nullifire.

9. HEALTH AND SAFETY

A separate Material Safety Data Sheet is available.

Nullifire Limited

Tarrington Avenue, Coventry CV4 9TJ, United Kingdom

Telephone + 44 (0)24 7685 5000 **Facsimile** + 44 (0)24 7646 9547

e-mail protect@nullifire.com **website** www.nullifire.com



This information is offered in good faith but without guarantee or liability. In cases of doubt, users should consult with relevant authority. Information given herein is supplied for your guidance only and is based upon the results of controlled tests and experience obtained in the application of the product referred to by Nullifire Ltd. As the supplier only, Nullifire Ltd has no control over the method or conditions of application of the product and consequently no warranties expressed or implied are intended to be given as to the coverage or performance of the products mentioned or referred to herein and no liability will be excepted for any loss, damage or physical injury resulting from the use or application of the information, data or products mentioned or referred to herein.